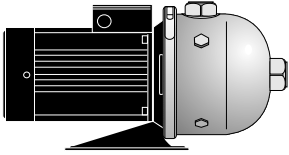


Submittal Data

3450 RPM

60 Hertz

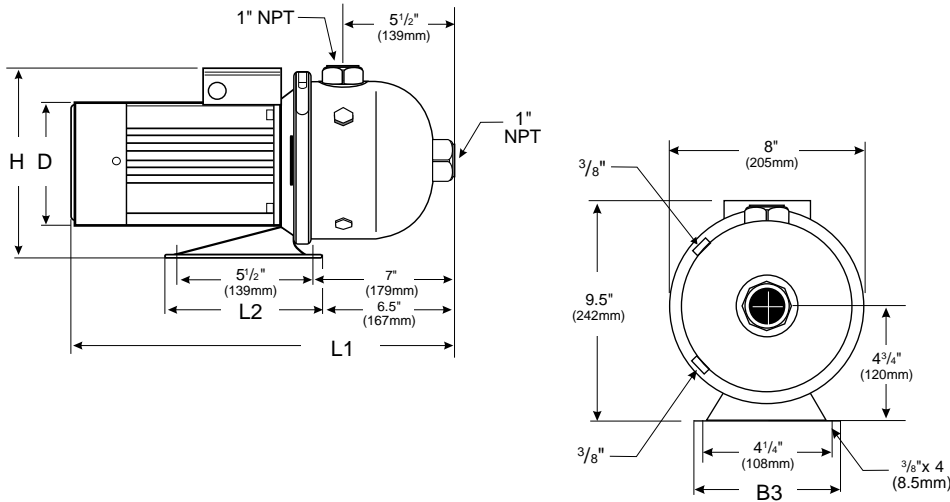


JOB or CUSTOMER:
ENGINEER:
CONTRACTOR:
SUBMITTED BY: DATE:
APPROVED BY: DATE:
ORDER NO: DATE:
SPECIFICATION REF:

QUANTITY	TAG NO.	MODEL NO.	GPM	FEET	VOLT	PHASE	COMMENTS

Repair Kit P/N:

Dimensions



Technical Data

(based on airfree water at 68°F [20°C])

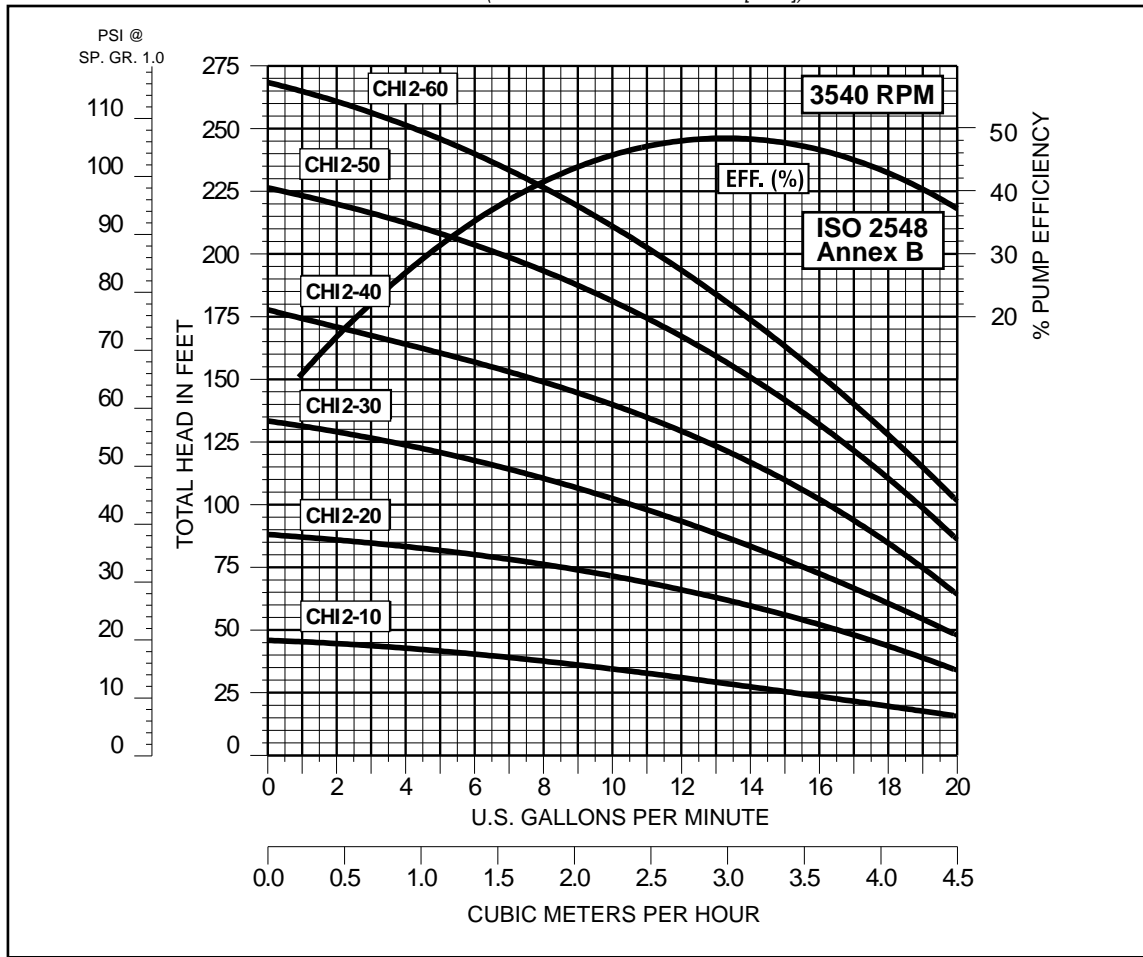
MIN. FLOW RATE: 1.2 GPM
FLOW RANGE: 1.2 - 20 GPM
HEAD RANGE: 16-267 Ft.(7-116 PSI)
MAXIMUM WORKING PRESSURE: 145 PSI (10 Bars)
LIQUID TEMPERATURE: (5° - 230° F) (-15° - 110°C)
 Request Carbon/Tungsten Carbide for temperature > 176°.
CAN BE USED TO PUMP: Cold and hot water; mixtures of water, other thin, clean, non-explosive liquids, and some mild chemicals (consult factory.)

Electrical Data, Dimensions and Weights

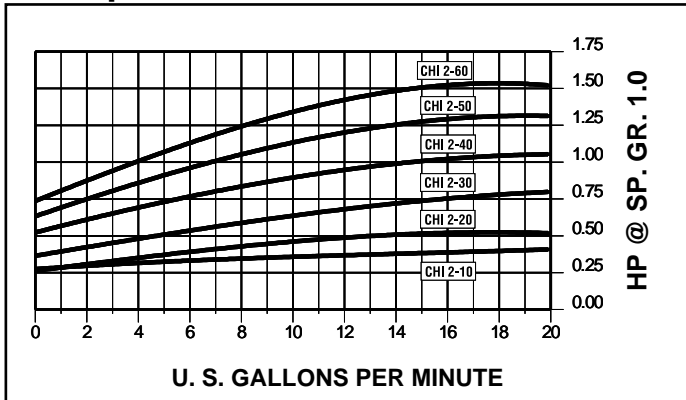
Pump Type	HP	Motor S.F.	PH	Volts	Suct. Size	Disch. Size	DIMENSIONS IN INCHES (mm)					Net Wt. (Lbs.)	Ship Wt. (Lbs.)	Ship Vol. (Cu. Ft.)
							L1	L2	B3	H	D			
CHI 2-10	1/2 1/3	1.60	1 3	115/230 208-230/460	1"	1"	15 5/8" (397)	6 3/8" (161)	5 1/4" (131)	9.0" (229)	5 1/2" (142)	20	26	1.7
CHI 2-20	1/2	1.60	1 3	115/230 208-230/460	1"	1"	15 5/8" (397)	6 3/8" (161)	5 1/4" (131)	9.0" (229)	5 1/2" (142)	21	27	1.7
CHI 2-30	1/2	1.60	1 3	115/230 208-230/460	1"	1"	15 5/8" (397)	6 3/8" (161)	5 1/4" (131)	9.0" (229)	5 1/2" (142)	22	27	1.7
CHI 2-40	3/4	1.70	1 3	115/230 208-230/460	1"	1"	17 1/4" (437)	6 3/8" (161)	5 1/4" (131)	9.0" (229)	5 1/2" (142)	26	31	1.7
CHI 2-50	3/4	1.70	1 3	115/230 208-230/460	1"	1"	17 1/4" (437)	6 3/8" (161)	5 1/4" (131)	9.0" (229)	5 1/2" (142)	27	32	1.7
CHI 2-60	1	1.60	1 3	115/230 208-230/460	1"	1"	17 1/4" (437)	6 3/8" (161)	5 1/4" (131)	9.0" (229)	5 1/2" (142)	30	35	1.7

Performance Curves (based on airfree water at 68°F [20°C])

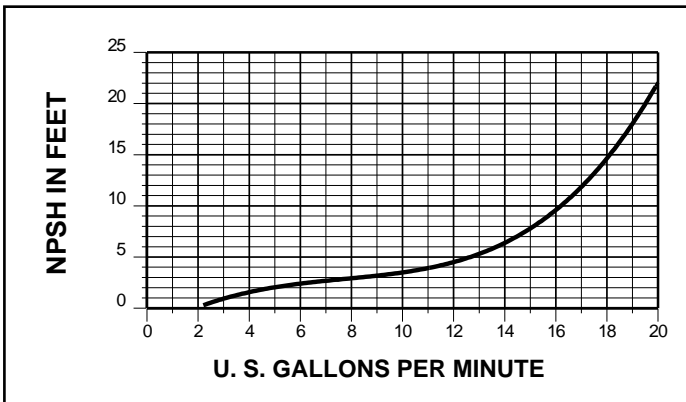
CHI 2



Horsepower Curve



NPSH Curve



Materials of Construction

DESCRIPTION	MATERIAL
Suction/Discharge Cap, Impellers	316 SS
Intermediate Chambers, Spacing Pipes	316 SS
Suction Interconnector, Pump Shaft	316 SS
Shaft Seal - Bellows Type*	
Stationary Face	Silicon Carbide
Rotating Face	Silicon Carbide
Secondary Seal	FPM
Seal Drivers	316 SS
Spring	316 SS
Bellows	FPM
* Optional materials available	
Intermediate Chamber Bearings	Aluminum Oxide Ceramics
Intermediate Bearing Journals	Tungsten Carbide
O-Rings	FPM
Neck Rings	Teflon ®
Recommended Spare Parts: Repair Kit (including shaft seal/gaskets)	

NOTE: ® Registered trademark of DuPont



Grundfos Pumps Corporation • 2555 Clovis Avenue • Clovis, CA 93612
 Area Centers: Allentown, PA • Atlanta, GA • Chicago, IL • Clovis, CA • Dallas, TX • Seattle, WA
 Phone: (800) 333-1366 • Fax: (800) 333-1363
 Canada: Mississauga, Ontario • Mexico: Apodaca, N.L.

L-CHI-TL-002 Rev. 8/96
 PRINTED IN USA