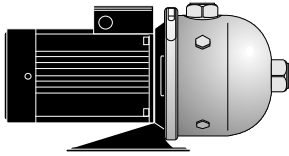


**Submittal Data**

**3450 RPM**

**60 Hertz**

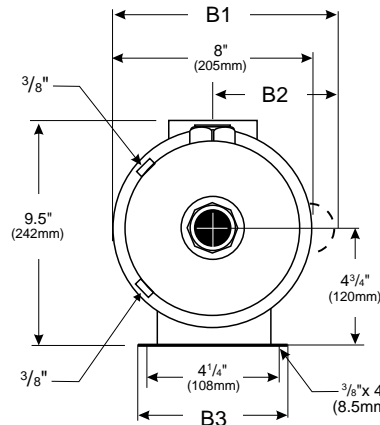
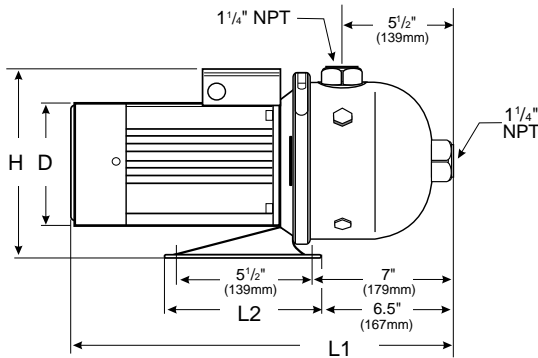


JOB or CUSTOMER:  
ENGINEER:  
CONTRACTOR:  
SUBMITTED BY: DATE:  
APPROVED BY: DATE:  
ORDER NO: DATE:  
SPECIFICATION REF:

QUANTITY	TAG NO.	MODEL NO.	GPM	FEET	VOLT	PHASE	COMMENTS

Repair Kit P/N:

**Dimensions**



**Technical Data**

*(based on airfree water at 68°F [20°C])*

- MIN. FLOW RATE:** 3.0 GPM
- FLOW RANGE:** 3.0 - 40 GPM
- HEAD RANGE:** 16-230 Ft.(7-100 PSI)
- MAXIMUM WORKING PRESSURE:** 145 PSI (10 Bars)
- LIQUID TEMPERATURE:** (5° - 230° F) (-15° - 110°C)

Request Carbon/Tungsten Carbide for temperature > 176°.

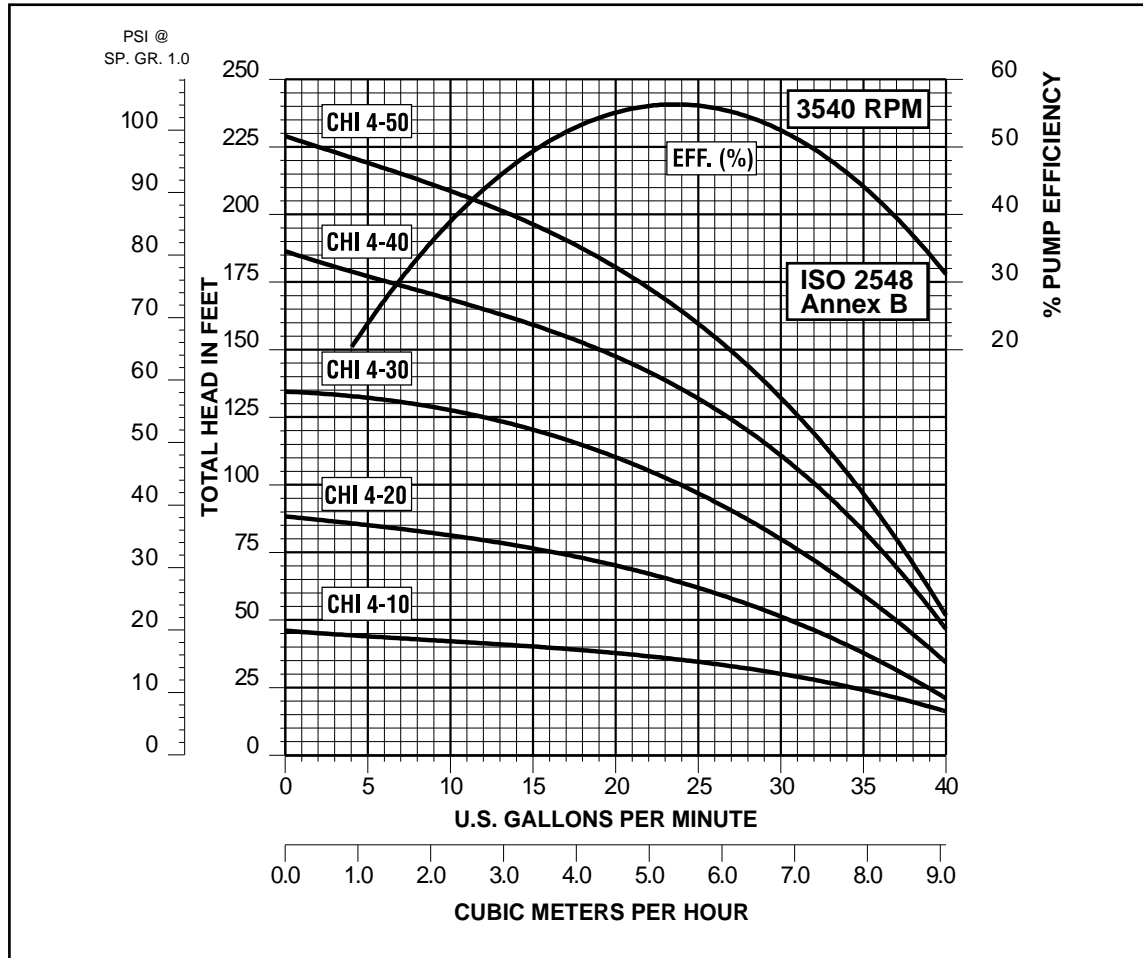
**CAN BE USED TO PUMP:** Cold and hot water; mixtures of water, other thin, clean, non-explosive liquids, and some mild chemicals (consult factory).

**Electrical Data, Dimensions and Weights**

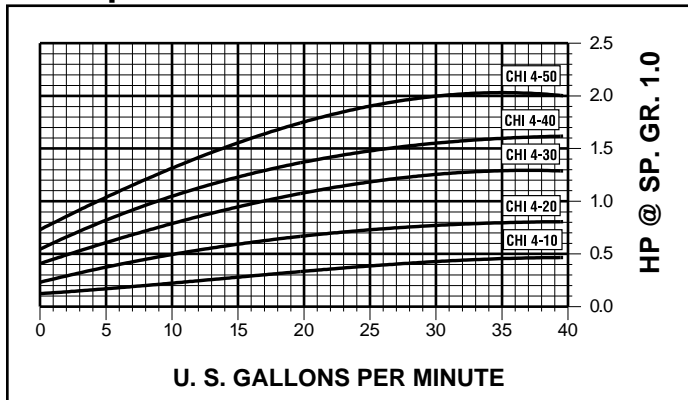
Pump Type	HP	Motor S.F	PH	Volts	Suct. Size	Disch. Size	DIMENSIONS IN INCHES (mm)					Net Wt. (Lbs.)	Ship Wt. (Lbs.)	Ship Vol. (Cu. Ft.)		
							L1	L2	B1	B2	B3				H	D
CHI 4-10	1/2 1/3	1.60	1	115/230	1 1/4"	1 1/4"	15 5/8"	6 3/8"	-	-	5 1/4"	9.0"	5 1/2"	21	26	1.75
			3	208-230/460												
CHI 4-20	1/2	1.60	1	115/230	1 1/4"	1 1/4"	15 5/8"	6 3/8"	-	-	5 1/4"	9.0"	5 1/2"	21	27	1.75
			3	208-230/460												
CHI 4-30	3/4	1.70	1	115/230	1 1/4"	1 1/4"	17 1/4"	6 3/8"	-	-	5 1/4"	9.0"	5 1/2"	25	30	1.75
			3	208-230/460												
CHI 4-40	1	1.60	1	115/230	1 1/4"	1 1/4"	17 1/4"	6 3/8"	-	-	5 1/4"	9.0"	7.0"	29	34	1.75
			3	208-230/460												
CHI 4-50	1 1/2	1.50	1	115/230	1 1/4"	1 1/4"	18 7/8"	6 7/8"	10 1/2"	6 1/2"	5 1/4"	9 5/8"	7.0"	53	58	2.25
			3	208-230/460												

# Performance Curves (based on airfree water at 68°F [20°C])

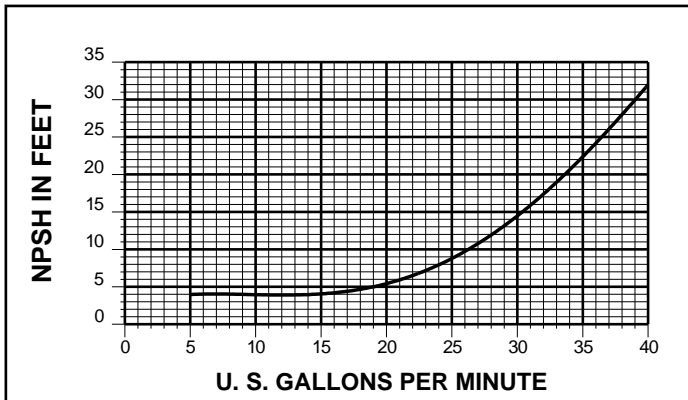
# CHI 4



## Horsepower Curve



## NPSH Curve



## Materials of Construction

DESCRIPTION	MATERIAL
Suction/Discharge Cap, Impellers	316 SS
Intermediate Chambers, Spacing Pipes	
Suction Interconnector, Pump Shaft	
Shaft Seal - Bellows Type*	
Stationary Face	Silicon Carbide
Rotating Face	Silicon Carbide
Secondary Seal	FPM
Seal Drivers	316 SS
Spring	316 SS
Bellows	FPM
* Optional materials available	
Intermediate Chamber Bearings	Aluminum Oxide Ceramics
Intermediate Bearing Journals	Tungsten Carbide
O-Rings	FPM
Neck Rings	Teflon®
<b>Recommended Spare Parts: Repair Kit (including shaft seal/gaskets)</b>	

NOTE: ® Registered trademark of DuPont



Grundfos Pumps Corporation • 2555 Clovis Avenue • Clovis, CA 93612  
 Area Centers: Allentown, PA • Atlanta, GA • Chicago, IL • Clovis, CA • Dallas, TX • Seattle, WA  
 Phone: (800) 333-1366 • Fax: (800) 333-1363  
 Canada: Mississauga, Ontario • Mexico: Apodaca, N.L.

L-CHI-TL-003 | Rev. 8/96  
 PRINTED IN USA