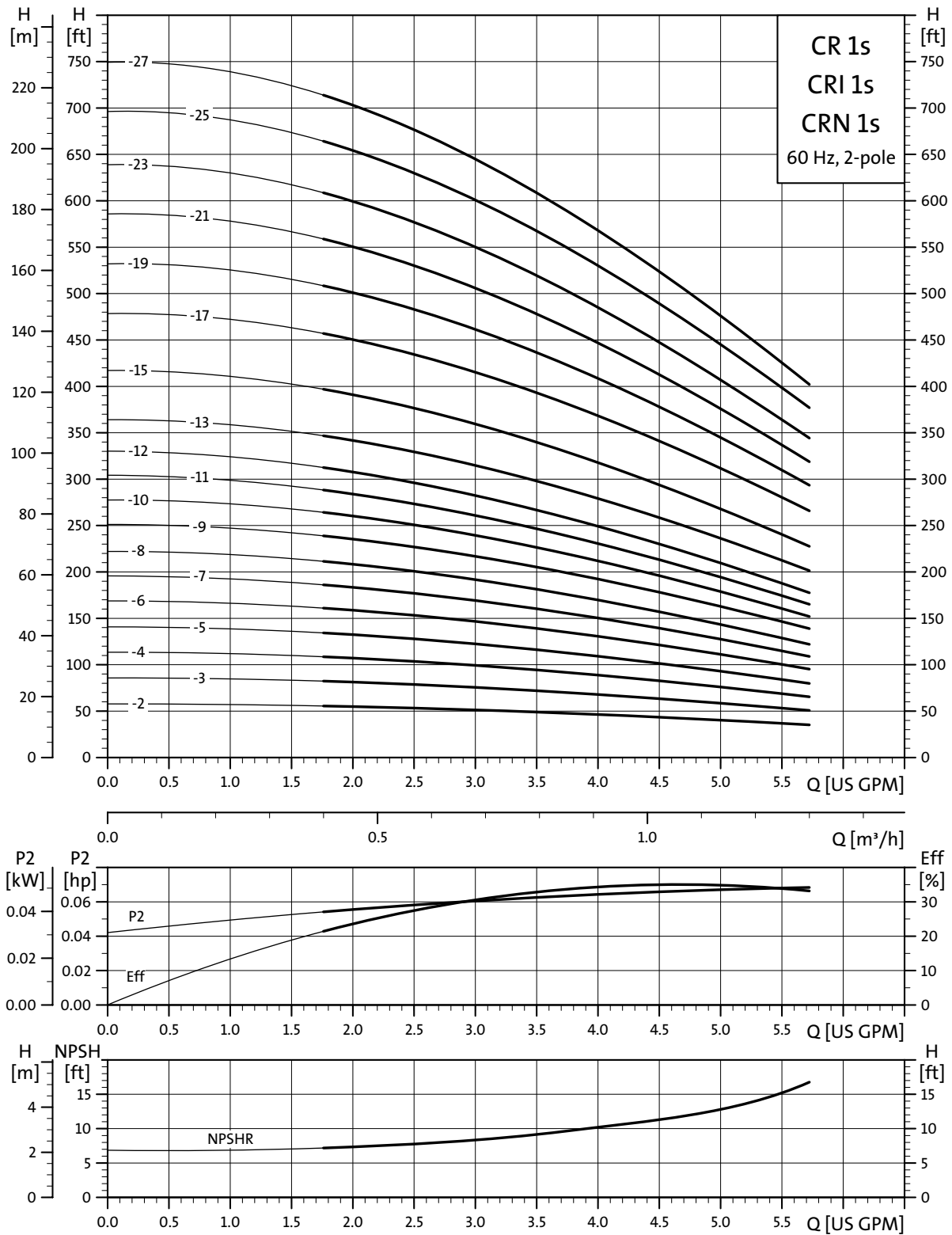


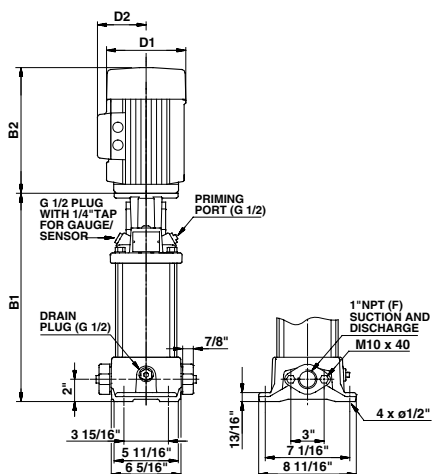
# Performance curves

CR 1s, CRI 1s, CRN 1s

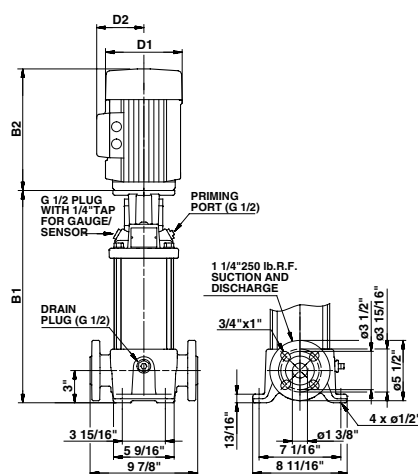


TM02.5741.1303

## Dimensional sketches



TM03 1450 2205



TM03 1451 2205

## Dimensions and weights

Pump type	Hp	Ph	Voltage	NEMA Frame size	Oval B1	ANSI B1	TEFC				Oval Ship Wt. <sup>1</sup> [lbs.]	ANSI Ship Wt. <sup>1</sup> [lbs.]
							D1	D2	Oval B1+B2	ANSI B1+B2		
CR 1s-2	1/3	1	115/230	56C	11	12	6 1/4	5	20 3/8	21 3/8	53	62
		3	208-230/460	56C	11	12	5 5/8	4 5/8	18 5/8	19 5/8	53	62
CR 1s-3	1/3	1	115/230	56C	11	12	6 1/4	5	20 3/8	21 3/8	53	62
		3	208-230/460	56C	11	12	5 5/8	4 5/8	18 5/8	19 5/8	53	62
CR 1s-4	1/3	1	115/230	56C	11 3/4	12 3/4	6 1/4	5	21 1/8	22 1/8	54	63
		3	208-230/460	56C	11 3/4	12 3/4	5 5/8	4 5/8	19 3/8	20 3/8	53	62
CR 1s-5	1/3	1	115/230	56C	12 1/2	13 1/2	6 1/4	5	21 7/8	22 7/8	54	63
		3	208-230/460	56C	12 1/2	13 1/2	5 5/8	4 5/8	20 1/8	21 1/8	54	63
CR 1s-6	1/2	1	115/208-230	56C	13 1/8	14 1/8	6 1/4	5	22 1/2	23 1/2	54	63
		3	208-230/460	56C	13 1/8	14 1/8	5 5/8	4 5/8	20 3/4	21 3/4	54	63
CR 1s-7	1/2	1	115/208-230	56C	13 7/8	14 7/8	6 1/4	5	23 1/4	24 1/4	55	64
		3	208-230/460	56C	13 7/8	14 7/8	5 5/8	4 5/8	21 1/2	22 1/2	55	64
CR 1s-8	1/2	1	115/208-230	56C	14 5/8	15 5/8	6 1/4	5	24	25	57	66
		3	208-230/460	56C	14 5/8	15 5/8	5 5/8	4 5/8	22 1/4	23 1/4	57	66
CR 1s-9	3/4	1	115/208-230	56C	15 1/4	16 1/4	6 1/4	5	25 1/4	26 1/4	60	70
		3	208-230/460	56C	15 1/4	16 1/4	5 5/8	4 5/8	22 7/8	23 7/8	59	69
CR 1s-10	3/4	1	115/208-230	56C	16	17	6 1/4	5	26	27	61	71
		3	208-230/460	56C	16	17	5 5/8	4 5/8	23 5/8	24 5/8	60	70
CR 1s-11	3/4	1	115/208-230	56C	16 3/4	17 3/4	6 1/4	5	26 3/4	27 3/4	63	73
		3	208-230/460	56C	16 3/4	17 3/4	5 5/8	4 5/8	24 3/8	25 3/8	62	72
CR 1s-12	3/4	1	115/208-230	56C	17 3/8	18 3/8	6 1/4	5	27 3/8	28 3/8	65	74
		3	208-230/460	56C	17 3/8	18 3/8	5 5/8	4 5/8	25	26	64	73
CR 1s-13	1	1	115/230	56C	18 1/8	19 1/8	7 1/4	5 3/4	29 3/8	30 3/8	67	76
		3	208-230/460	56C	18 1/8	19 1/8	5 5/8	4 5/8	27	28	67	76
CR 1s-15	1	1	115/230	56C	19 1/2	20 1/2	7 1/4	5 3/4	30 3/4	31 3/4	69	78
		3	208-230/460	56C	19 1/2	20 1/2	5 5/8	4 5/8	28 3/8	29 3/8	68	78
CR 1s-17	1 1/2	1	115/208-230	56C	21	22	7 1/4	5 3/4	32 3/4	33 3/4	76	85
		3	208-230/460	56C	21	22	5 5/8	4 5/8	29 7/8	30 7/8	68	73
CR 1s-19	1 1/2	1	115/208-230	56C	-	23 3/8	7 1/4	5 3/4	-	35 1/8	-	86
		3	208-230/460	56C	-	23 3/8	5 5/8	4 5/8	-	32 1/4	-	75
CR 1s-21	1 1/2	1	115/208-230	56C	-	24 3/4	7 1/4	5 3/4	-	36 1/2	-	88
		3	208-230/460	56C	-	24 3/4	5 5/8	4 5/8	-	33 5/8	-	76
CR 1s-23	1 1/2	1	115/208-230	56C	-	26 1/4	7 1/4	5 3/4	-	38	-	90
		3	208-230/460	56C	-	26 1/4	5 5/8	4 5/8	-	35 1/8	-	78
CR 1s-25	2	1	115/230	56C	-	27 5/8	7 1/4	5 3/4	-	40 1/4	-	97
		3	208-230/460	56C	-	27 5/8	7 1/8	4 3/8	-	39 1/8	-	100
CR 1s-27	2	1	115/230	56C	-	29	7 1/4	5 3/4	-	41 5/8	-	100
		3	208-230/460	56C	-	29	7 1/8	4 3/8	-	40 1/2	-	102

Weights are based on pump with TEFC motor (see price list for individual weights)

All dimensions in inches unless otherwise noted.