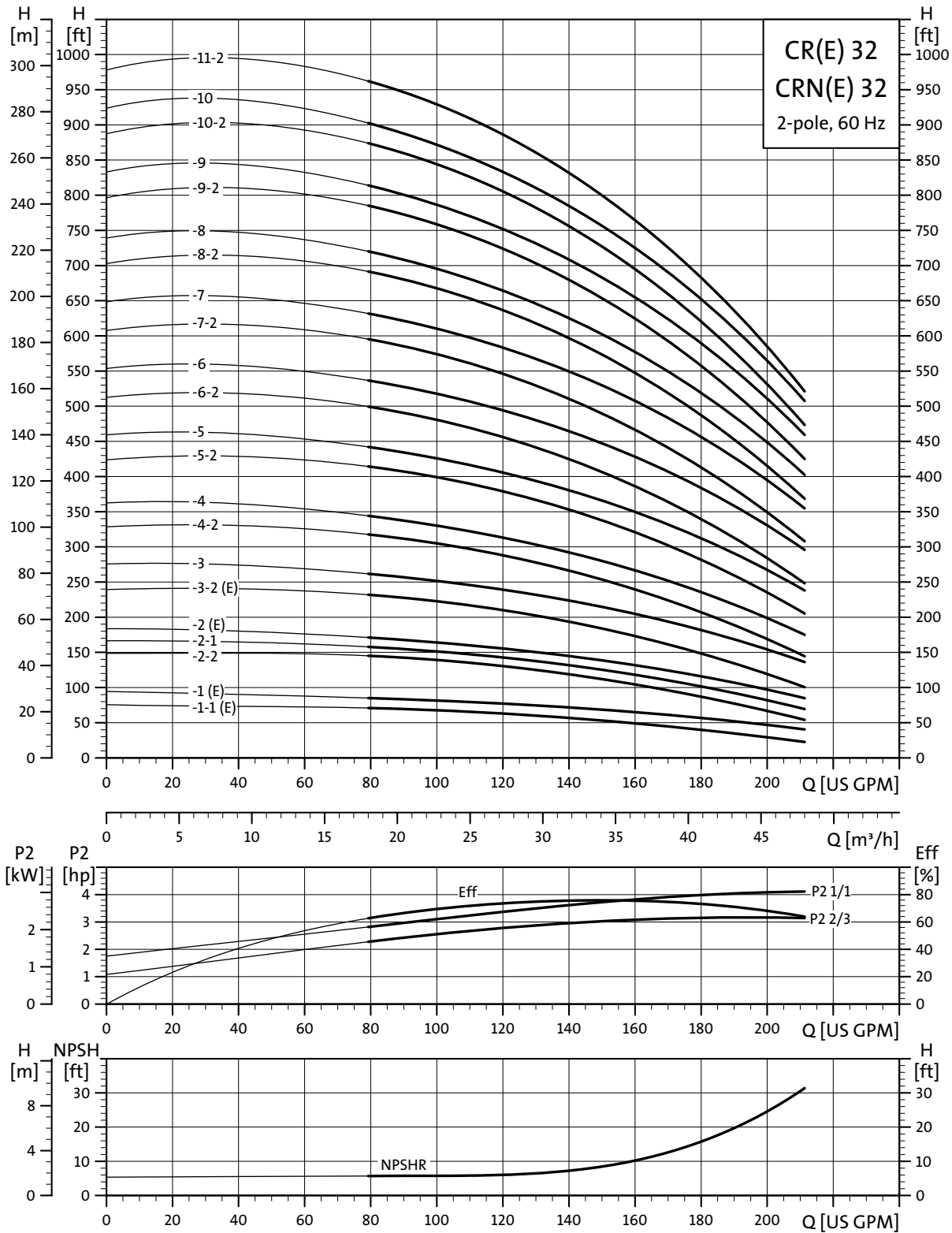


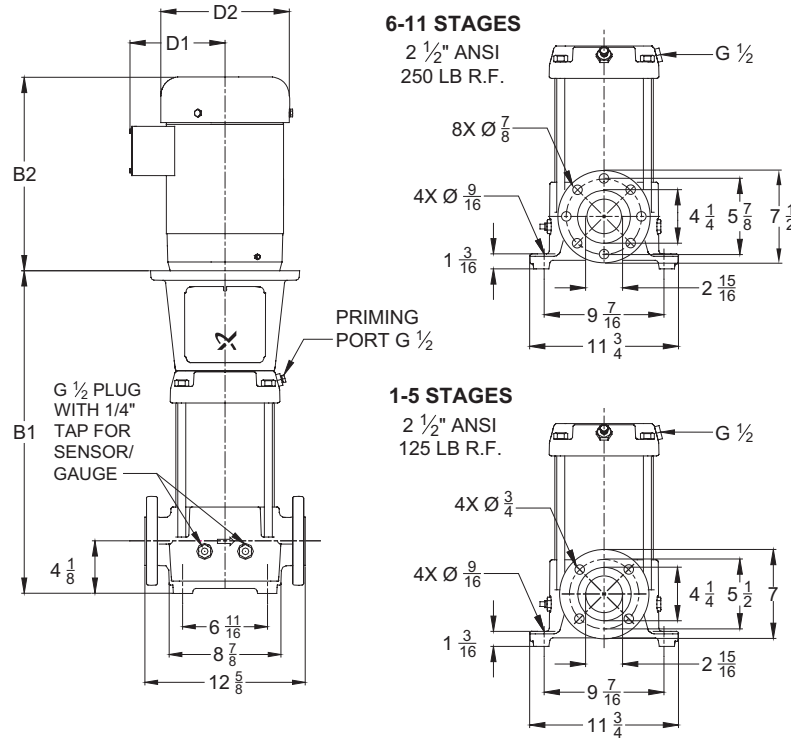
Performance curves

CR(E), CRN(E) 32



S03 1303 002 M02

Dimensional sketches



TM02 7699 3804

Dimensions and weights

| Pump type | Hp | Ph | Voltage | NEMA Frame size | ANSI B1 | ODP | | TEFC | | ANSI ODP B1+B2 | ANSI TEFC B1+B2 | ANSI Ship Wt. ¹ [lbs.] | MLE | | ANSI MLE B1+B2 | ANSI Ship Wt. ¹ [lbs.] |
|--------------|-------|----|-------------|-----------------|---------|--------|--------|--------|--------|----------------|-----------------|-----------------------------------|-------|-------|----------------|-----------------------------------|
| | | | | | | D1 | D2 | D1 | D2 | | | | D1 | D2 | | |
| CR(E) 32-1-1 | 3 | 1 | 115/208-230 | 182TC | 20 | 8 1/2 | 6 3/4 | 8 5/8 | 6 7/8 | 34 1/2 | 34 1/2 | 232 | - | - | - | - |
| | | | 208-230/460 | 182TC | 20 | 7 1/4 | 5 5/8 | 8 5/8 | 6 7/8 | 31 3/8 | 32 1/2 | 207 | 7 7/8 | 6 5/8 | 33 3/8 | 213 |
| CR(E) 32-1 | 5 | 3 | 208-230 | 182TC | 20 | 10 5/8 | 7 3/8 | 10 5/8 | 7 1/2 | 35 3/8 | 35 3/8 | 256 | - | - | - | - |
| | | | 208-230/460 | 182TC | 20 | 7 1/4 | 5 5/8 | 8 1/2 | 6 | 34 1/8 | 36 | 213 | 8 3/4 | 7 1/2 | 35 1/2 | 236 |
| CR 32-2-2 | 7 1/2 | 1 | 208-230 | 213TC | 22 3/4 | 10 3/8 | 8 1/8 | 10 1/4 | 7 1/2 | 38 1/8 | 38 1/8 | 277 | - | - | - | - |
| | | | 208-230/460 | 213TC | 22 3/4 | 10 3/8 | 8 1/8 | 10 1/4 | 8 1/8 | 38 1/8 | 38 1/8 | 255 | - | - | - | - |
| CR 32-2-1 | 7 1/2 | 3 | 208-230 | 213TC | 22 3/4 | 10 3/8 | 8 1/8 | 10 1/4 | 7 1/2 | 38 1/8 | 38 1/8 | 277 | - | - | - | - |
| | | | 208-230/460 | 213TC | 22 3/4 | 10 3/8 | 8 1/8 | 10 1/4 | 8 1/8 | 38 1/8 | 38 1/8 | 255 | - | - | - | - |
| CR(E) 32-2 | 7 1/2 | 1 | 208-230 | 213TC | 22 3/4 | 10 3/8 | 8 1/8 | 10 1/4 | 7 1/2 | 38 1/8 | 38 1/8 | 277 | - | - | - | - |
| | | | 208-230/460 | 213TC | 22 3/4 | 10 3/8 | 8 1/8 | 10 1/4 | 8 1/8 | 38 1/8 | 38 1/8 | 255 | 8 3/4 | 7 1/2 | 38 | 285 |
| CR(E) 32-3-2 | 10 | 3 | 230 | 213TC | 25 1/2 | 10 5/8 | 7 1/2 | 10 1/4 | 10 3/8 | 42 | 41 3/8 | 334 | - | - | - | - |
| | | | 208-230/460 | 213TC | 25 1/2 | 10 5/8 | 7 3/8 | 10 3/8 | 7 1/2 | 40 7/8 | 40 7/8 | 290 | 8 3/4 | 7 1/2 | 41 | 314 |
| CR 32-3 | 15 | 3 | 208-230/460 | 254TC | 29 3/4 | 10 5/8 | 7 3/8 | 10 3/8 | 8 3/4 | 45 7/8 | 46 3/8 | 326 | - | - | - | - |
| CR 32-4-2 | 15 | 3 | 208-230/460 | 254TC | 32 1/2 | 10 5/8 | 7 3/8 | 10 3/8 | 8 3/4 | 48 5/8 | 49 1/8 | 441 | - | - | - | - |
| CR 32-4 | 15 | 3 | 208-230/460 | 254TC | 32 1/2 | 10 5/8 | 7 3/8 | 10 3/8 | 8 3/4 | 48 5/8 | 49 1/8 | 441 | - | - | - | - |
| CR 32-5-2 | 20 | 3 | 230/460 | 254TC | 35 1/4 | 11 1/2 | 9 | 10 3/8 | 8 3/4 | 53 1/4 | 51 5/8 | 507 | - | - | - | - |
| CR 32-5 | 20 | 3 | 230/460 | 254TC | 35 1/4 | 11 1/2 | 9 | 10 3/8 | 8 3/4 | 53 1/4 | 51 5/8 | 507 | - | - | - | - |
| CR 32-6-2 | 25 | 3 | 230/460 | 284TSC | 38 | 11 1/2 | 9 | 13 | 9 1/2 | 59 | 57 3/4 | 546 | - | - | - | - |
| CR 32-6 | 25 | 3 | 230/460 | 284TSC | 38 | 11 1/2 | 9 | 13 | 9 1/2 | 59 | 57 3/4 | 546 | - | - | - | - |
| CR 32-7-2 | 25 | 3 | 230/460 | 284TSC | 40 3/4 | 11 1/2 | 9 | 13 | 9 1/2 | 61 3/4 | 60 1/2 | 555 | - | - | - | - |
| CR 32-7 | 30 | 3 | 230/460 | 284TSC | 40 3/4 | 11 1/2 | 9 | 15 3/8 | 13 1/8 | 62 3/8 | 63 3/4 | 601 | - | - | - | - |
| CR 32-8-2 | 30 | 3 | 230/460 | 284TSC | 43 5/8 | 11 1/2 | 9 | 15 3/8 | 13 1/8 | 65 1/4 | 66 5/8 | 610 | - | - | - | - |
| CR 32-8 | 30 | 3 | 230/460 | 284TSC | 43 5/8 | 11 1/2 | 9 | 15 3/8 | 13 1/8 | 65 1/4 | 66 5/8 | 610 | - | - | - | - |
| CR 32-9-2 | 40 | 3 | 230/460 | 286TSC | 46 3/8 | 13 1/4 | 12 1/4 | 15 3/8 | 13 1/8 | 69 3/8 | 69 3/8 | 696 | - | - | - | - |
| CR 32-9 | 40 | 3 | 230/460 | 286TSC | 46 3/8 | 13 1/4 | 12 1/4 | 15 3/8 | 13 1/8 | 69 3/8 | 69 3/8 | 696 | - | - | - | - |
| CR 32-10-2 | 40 | 3 | 230/460 | 286TSC | 49 1/8 | 13 1/4 | 12 1/4 | 15 3/8 | 13 1/8 | 72 1/8 | 72 1/8 | 705 | - | - | - | - |
| CR 32-10 | 40 | 3 | 230/460 | 286TSC | 49 1/8 | 13 1/4 | 12 1/4 | 15 3/8 | 13 1/8 | 72 1/8 | 72 1/8 | 705 | - | - | - | - |
| CR 32-11-2 | 40 | 3 | 230/460 | 286TSC | 51 7/8 | 13 1/4 | 12 1/4 | 15 3/8 | 13 1/8 | 74 7/8 | 74 7/8 | 731 | - | - | - | - |

¹Weights based on pump with ODP motor (see price list for individual weights)
All dimensions in inches unless otherwise noted.