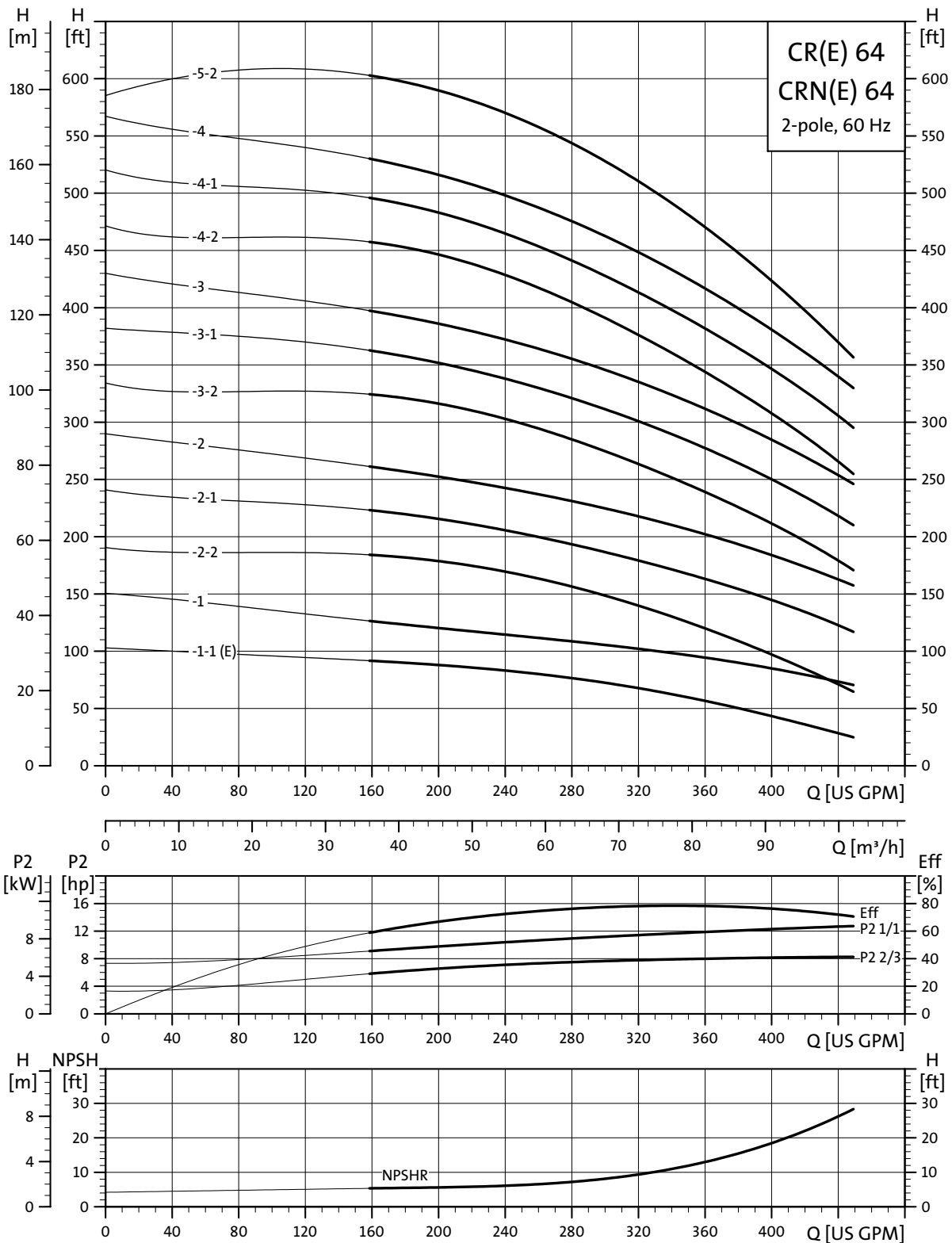


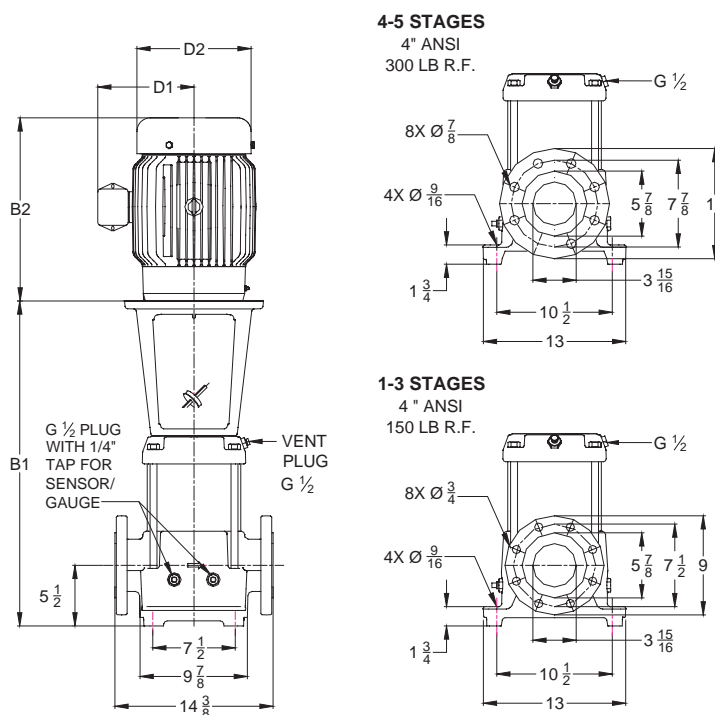
# Performance curves

CR(E), CRN(E) 64



TM02.0041.1303

## Dimensional sketches



TM02 7701 3803

## Dimensions and weights

Pump type	Hp	Ph	Voltage	NEMA Frame size	ANSI B1	ODP		TEFC		ANSI ODP B1+B2	ANSI TEFC B1+B2	ANSI Ship Wt. <sup>1</sup> [lbs.]	MLE		ANSI MLE B1+B2	ANSI Ship Wt. <sup>1</sup> [lbs.]
						D1	D2	D1	D2				D1	D2		
CR(E) 64-1-1	7 1/2	1	208-230	213TC	22 1/8	10 3/8	8 1/8	10 1/4	7 1/2	37 1/2	37 1/2	299	-	-	-	-
		3	208-230/460	213TC	22 1/8	10 3/8	8 1/8	10 1/4	8 1/8	37 1/2	37 1/2	277	8 3/4	7 1/2	37 1/2	307
CR 64-1	15	3	208-230/460	254TC	26 1/2	10 5/8	7 3/8	10 3/8	8 3/4	42 5/8	43 1/8	339	-	-	-	-
CR 64-2-2	15	3	208-230/460	254TC	29 3/4	10 5/8	7 3/8	10 3/8	8 3/4	45 7/8	46 3/8	348	-	-	-	-
CR 64-2-1	20	3	230/460	254TC	29 3/4	11 1/2	9	10 3/8	8 3/4	47 3/4	46 1/8	391	-	-	-	-
CR 64-2	25	3	230/460	284TSC	29 3/4	11 1/2	9	13	9 1/2	50 3/4	49 1/2	514	-	-	-	-
CR 64-3-2	30	3	230/460	284TSC	33	11 1/2	9	15 3/8	13 1/8	54 5/8	56	569	-	-	-	-
CR 64-3-1	40	3	230/460	286TSC	33	13 1/4	12 1/4	15 3/8	13 1/8	56	56	647	-	-	-	-
CR 64-3	40	3	230/460	286TSC	33	13 1/4	12 1/4	15 3/8	13 1/8	56	56	647	-	-	-	-
CR 64-4-2	40	3	230/460	286TSC	36 1/4	13 1/4	12 1/4	15 3/8	13 1/8	59 1/4	59 1/4	684	-	-	-	-
CR 64-4-1	50	3	230/460	324TSC	36 1/4	13 3/8	12 1/4	17	14 1/8	58 3/4	63 7/8	748	-	-	-	-
CR 64-4	50	3	230/460	324TSC	36 1/4	13 3/8	12 1/4	17	14 1/8	58 3/4	63 7/8	748	-	-	-	-
CR 64-5-2	60	3	230/460	364TSC	39 1/2	15 1/4	13 1/4	19	15	65 1/2	70 1/8	923	-	-	-	-

<sup>1</sup>Weights based on pump with ODP motor (see price list for individual weights)

All dimensions in inches unless otherwise noted.