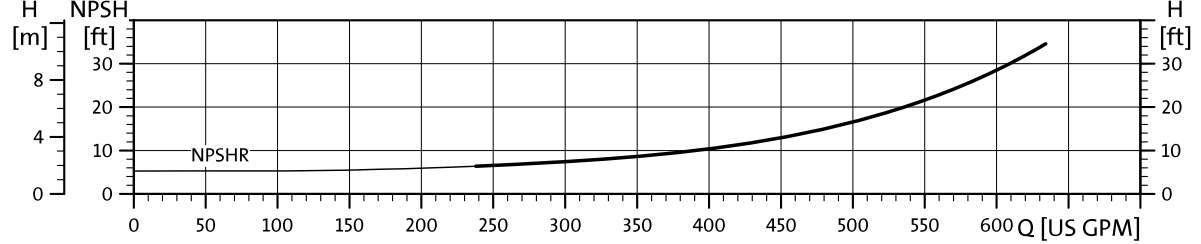
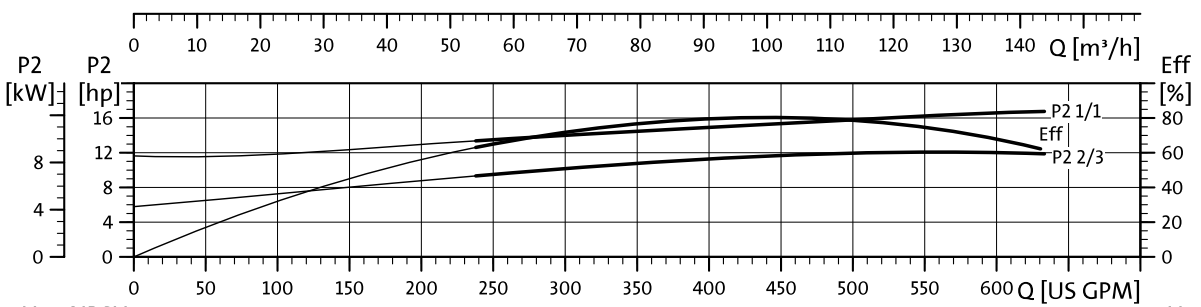
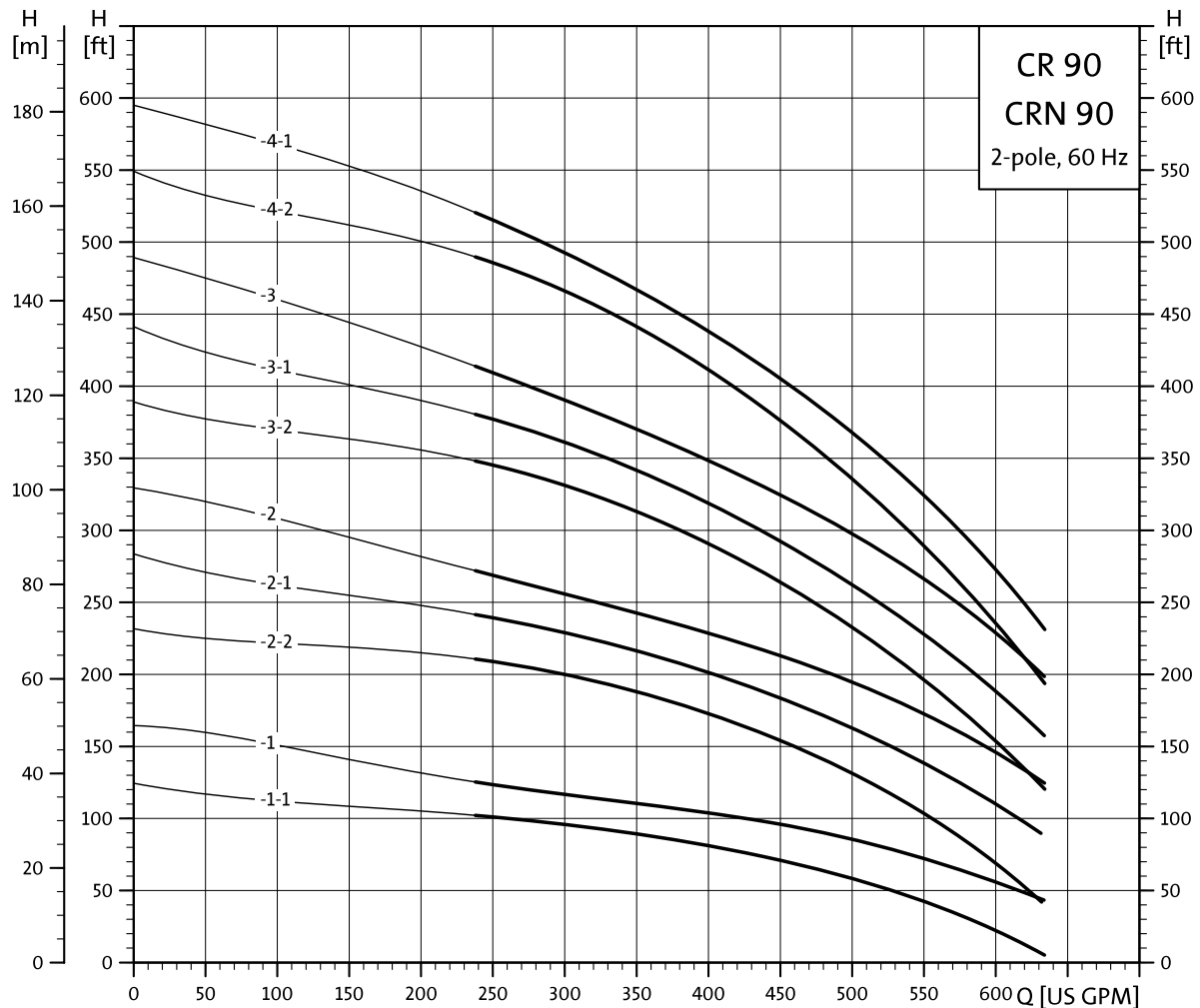


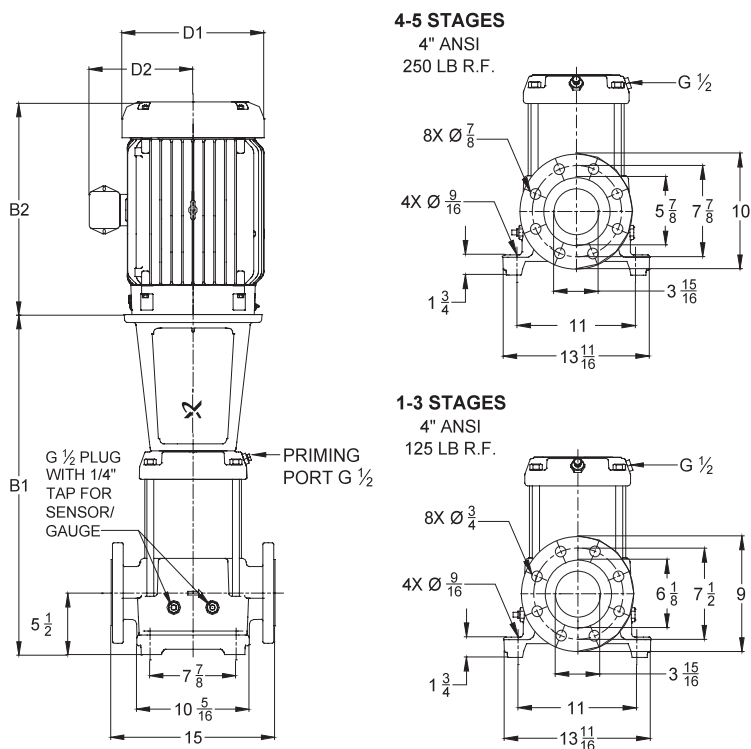
Performance curves

CR, CRN 90



TM02.0042.1303

Dimensional sketches



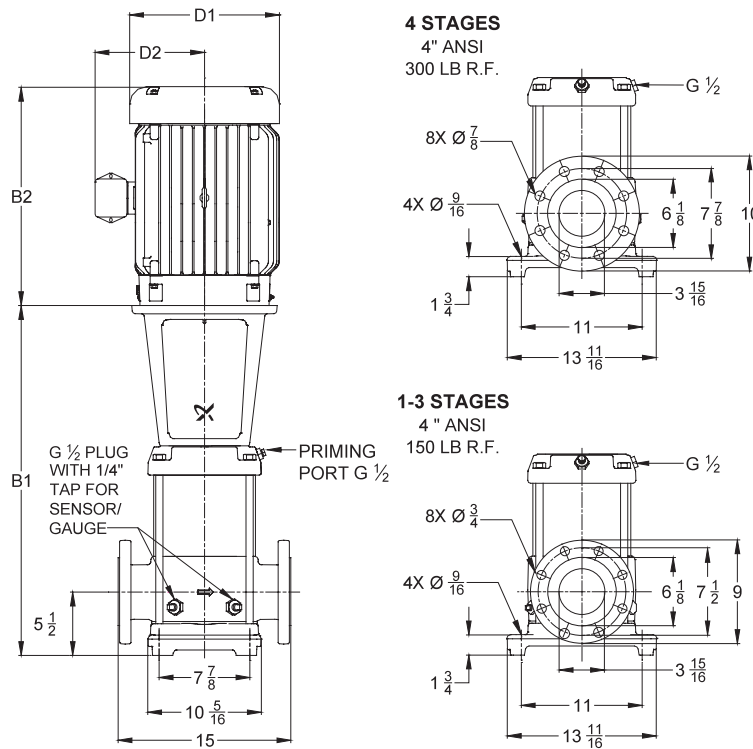
TM02 7702 3804

Dimensions and weights

Pump type	Hp	Ph	Voltage	NEMA Frame size	ANSI B1	ODP		TEFC		ANSI ODP B1+B2	ANSI TEFC B1+B2	ANSI Ship Wt. ¹ [lbs.]
						D1	D2	D1	D2			
CR 90-1-1	15	3	208-230/460	254TC	26 7/8	10 5/8	7 3/8	10 3/8	8 3/4	43	43 1/2	351
CR 90-1	15	3	208-230/460	254TC	26 7/8	10 5/8	7 3/8	10 3/8	8 3/4	43	43 1/2	351
CR 90-2-2	25	3	230/460	284TSC	30 1/2	11 1/2	9	13	9 1/2	51 1/2	50 1/4	527
CR 90-2-1	30	3	230/460	284TSC	30 1/2	11 1/2	9	15 3/8	13 1/8	52 1/8	53 1/2	573
CR 90-2	40	3	230/460	286TSC	30 1/2	13 1/4	12 1/4	15 3/8	13 1/8	53 1/2	53 1/2	650
CR 90-3-2	40	3	230/460	286TSC	34 1/8	13 1/4	12 1/4	15 3/8	13 1/8	57 1/8	57 1/8	660
CR 90-3-1	50	3	230/460	324TSC	34 1/8	13 3/8	12 1/4	17	14 1/8	56 5/8	61 3/4	724
CR 90-3	50	3	230/460	324TSC	34 1/8	13 3/8	12 1/4	17	14 1/8	56 5/8	61 3/4	752
CR 90-4-2	60	3	230/460	364TSC	37 3/4	15 1/4	13 1/4	19	15	63 3/4	68 3/8	870
CR 90-4-1	60	3	230/460	364TSC	37 3/4	15 1/4	13 1/4	19	15	63 3/4	68 3/8	870

¹Weights based on pump with ODP motor (see price list for individual weights)
All dimensions in inches unless otherwise noted.

Dimensional sketches



TM02 7706 3804

Dimensions and weights

Pump type	Hp	Ph	Voltage	NEMA Frame size	ANSI B1	ODP		TEFC		ANSI ODP B1+B2	ANSI TEFC B1+B2	ANSI Ship Wt. ¹ [lbs.]
						D1	D2	D1	D2			
CRN 90-1-1	15	3	208-230/460	254TC	26 7/8	10 5/8	7 3/8	10 3/8	8 3/4	43	43 1/2	351
CRN 90-1	15	3	208-230/460	254TC	26 7/8	10 5/8	7 3/8	10 3/8	8 3/4	43	43 1/2	351
CRN 90-2-2	25	3	230/460	284TSC	30 1/2	11 1/2	9	13	9 1/2	51 1/2	50 1/4	527
CRN 90-2-1	30	3	230/460	284TSC	30 1/2	11 1/2	9	15 3/8	13 1/8	52 1/8	53 1/2	573
CRN 90-2	40	3	230/460	286TSC	30 1/2	13 1/4	12 1/4	15 3/8	13 1/8	53 1/2	53 1/2	650
CRN 90-3-2	40	3	230/460	286TSC	34 1/8	13 1/4	12 1/4	15 3/8	13 1/8	57 1/8	57 1/8	660
CRN 90-3-1	50	3	230/460	324TSC	34 1/8	13 3/8	12 1/4	17	14 1/8	56 5/8	61 3/4	724
CRN 90-3	50	3	230/460	324TSC	34 1/8	13 3/8	12 1/4	17	14 1/8	56 5/8	61 3/4	752
CRN 90-4-2	60	3	230/460	364TSC	37 3/4	15 1/4	13 1/4	19	15	63 3/4	68 3/8	870
CRN 90-4-1	60	3	230/460	364TSC	37 3/4	15 1/4	13 1/4	19	15	63 3/4	68 3/8	870

¹Weights based on pump with ODP motor (see price list for individual weights)

All dimensions in inches unless otherwise noted.